

1. Maximum weight limit is **800 pounds**.
2. Read and follow all instructions before use.
3. Do not use if ramp is damaged or unstable.
4. Ramp is shipped fully assembled. To separate ramp into two halves for easy storage and transportation, remove bolts and install coil tension safety pin as follows:
 - a. With ramp positioned as shown in (DIAGRAM 1), insert the coil tension safety pin into each hinge assembly and join ramps together before use. NOTE: Spring section of pin should be on the underside (non-treaded side) of ramp.
 - b. **⚠ WARNING:** Ramp may be separated for use when loading/unloading unoccupied mobility equipment.
 - c. **⚠ WARNING:** When used with occupied mobility equipment, use ramp as one unit (ensure both halves are joined with pins or bolts firmly installed before use).
5. Place ramp on landing in the folded position, making sure that the top lip (labeled TOP) is resting securely on the landing (DIAGRAM 2).
6. Unfold ramp and center on landing.
7. For ease in carrying and stowage, ramp can be disconnected and carried in two sections. (When pins are not in use, store in one side of hinge or on the underside of ramp by inserting into the gap behind the top I-beam.)
8. **⚠ WARNING:** Ensure that the top lip is secure before using ramp. We recommend attaching the ramp temporarily to the landing using the provided clevis pins (drill 1/4" hole in landing) or semi-permanently using screws through the pre-drilled holes at the top of each section. To prevent ramp from becoming dislodged during use, ensure that the top lip overlaps the resting surface as far as possible.
9. **⚠ WARNING:** The surface holding the top lip needs to be substantial; make sure that the surface and supporting structure is of sound construction.
10. **⚠ WARNING:** Use ramp only with a qualified helper and always use lap belt.
11. **⚠ WARNING:** The ramp shown in diagrams (below) is the 5-ft length. To select the ramp length, an incline chart is provided on the reverse side of this document. However, it is intended only as a guideline. Refer to your equipment's (wheelchair or scooter) Owner Guide for the proper degree of incline/decline and chair direction before attempting ramp use. Never exceed its recommendations.
12. **SAFETY & MAINTENANCE:** Regularly check ramp for damage, and check and tighten any loose fasteners. Keep ramp surface clear of ice, snow, dirt, leaves, and other debris. For snow/ice, remove accumulation and sweep the surface clean. To remove dirt, leaves, and other debris, sweeping the surface or using a garden hose will usually suffice, but, if needed, use a damp cloth or soft brush with non-alkaloid detergent and water. Rinse well and use extra caution if ramp surface is wet.
13. **OPTIONAL FEATURE:** Increase the usefulness of the SUITCASE® Advantage Series® Ramp with the Top Lip Extension (TLE). This optional extension increases the standard 3" lip to become 9", allowing the ramp to clear the rear bumper of SUVs and vans by simply attaching to the top lip of the ramp (DIAGRAM 4). TLE is for use with unoccupied mobility equipment only and, when used, reduces the overall ramp weight capacity to 500 pounds. Contact your local retailer or visit www.ezaccess.com for details.

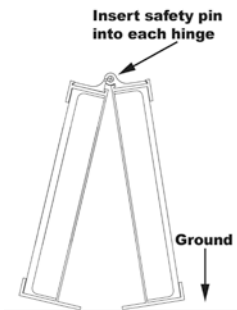


DIAGRAM 1

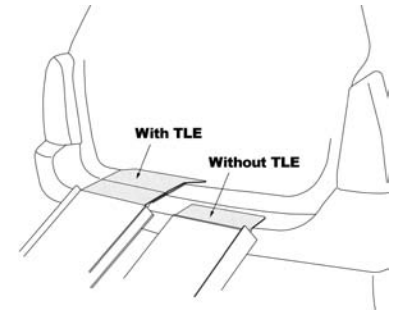


DIAGRAM 4

- ✂
1. EZ-ACCESS, a division of Homecare Products, Inc., (herein referred to as Manufacturer), warrants that the equipment shall be free from defects in material and workmanship under normal use and service for a period of 3-years from the date of original purchase. This limited warranty applies to the original purchaser only and is non-transferable. This limited warranty is applicable to defective metal structure components only (excludes powder coated finish, applied non-skid tread, etc.) No part of this warranty will apply to any equipment which has been subject to misuse, vandalism, negligence, alteration, improper loads, accident, improper installation, or which has been repaired outside Manufacturer's place of business in any way as in the reasonable judgment of Manufacturer, to adversely affect its performance and reliability, nor to normal deterioration due to wear, tear and exposure, corrosion, or damage caused by rain, fire, earthquake or other natural causes or acts of nature.
 2. Manufacturer's obligation and purchaser's sole remedy under this warranty is limited to, at Manufacturer's option, repairing or replacing equipment which is returned to its place of business and which, upon examination, shall disclose to Manufacturer's reasonable satisfaction to have been defective. Manufacturer will make the repair or replacement of defective components at its own expense. If Purchaser discovers a defect, he/she must call Manufacturer at 253-249-1101 to request a Return Authorization (RA) to return the merchandise to Manufacturer.
 3. If Manufacturer determines, in its sole discretion, to replace the equipment with either a new or repaired unit, purchaser shall be responsible for a charge prorated on the following basis: The purchaser will be allowed a credit against the purchase price of equivalent equipment at the time of return to Manufacturer, in proportion to the percentage of the warranted service life remaining at the time of such return. Purchaser will be responsible to pay the balance of the purchase price of equivalent equipment. Manufacturer reserves the right to require payment prior to delivery of the repaired/replaced equipment. In calculating available credit, the remaining warranted service life will be rounded up or down to the nearest whole year. YEARS 0-1: Unit repaired or replaced; YEARS 1-2: Repair or 50% \$ credit (current purchase price multiplied by credit percentage); YEARS 2-3: Repair or 25% \$ credit (current purchase price multiplied by credit percentage). This limited warranty does not cover removal or reinstallation. Manufacturer reserves the right to require Purchaser to pay for all shipping charges (Government purchases exempt).
 4. **DISCLAIMER: THE WARRANTIES AND REMEDIES CONTAINED HEREIN ARE EXCLUSIVE AND IN LIEU OF ALL OTHER WARRANTIES, WHETHER EXPRESS, IMPLIED OR STATUTORY, INCLUDING ANY LIABILITY ARISING UNDER ANY WARRANTY OF MERCHANTABILITY OR FITNESS FOR A PARTICULAR PURPOSE, STATUTORY OR OTHERWISE. HOWEVER, THAT IF ANY IMPLIED WARRANTY CANNOT BE DISCLAIMED IN ANY TERRITORY WHERE A PRODUCT IS SOLD, THE DURATION OF SUCH IMPLIED WARRANTY IS LIMITED TO THE DURATION OF THE LIMITED WARRANTY DESCRIBED IN THE FIRST PARAGRAPH.**
 5. **MANUFACTURER SHALL NOT BE LIABLE UNDER ANY CONTRACT, NEGLIGENCE, STRICT LIABILITY OR OTHER LEGAL OR EQUITABLE THEORY FOR ANY DIRECT, SPECIAL, INCIDENTAL OR CONSEQUENTIAL DAMAGES, RESULTING FROM THE USE, MISUSE OR INABILITY TO USE THE EQUIPMENT, OR ARISING OUT OF ANY BREACH OF THIS LIMITED WARRANTY, EVEN IF MANUFACTURER HAS BEEN ADVISED OF THE POSSIBILITY OF SUCH DAMAGES. THE SOLE REMEDY FOR A BREACH OF THE FOREGOING LIMITED WARRANTY IS REPLACEMENT OF THE DEFECTIVE OR NON-CONFORMING EQUIPMENT OR PART. THE MAXIMUM LIABILITY OF MANUFACTURER UNDER THIS WARRANTY IS LIMITED TO THE PURCHASE PRICE OF THE EQUIPMENT COVERED BY THE WARRANTY.**
 6. Some states do not allow the exclusion or limitation of incidental or consequential damages, so the above limitation or exclusion may not apply to you. This warranty gives you specific legal rights, and you may also have other rights which may vary from State to State. Manufacturer reserves the right to change or improve its products without any obligation to change or improve any Product previously manufactured by it.

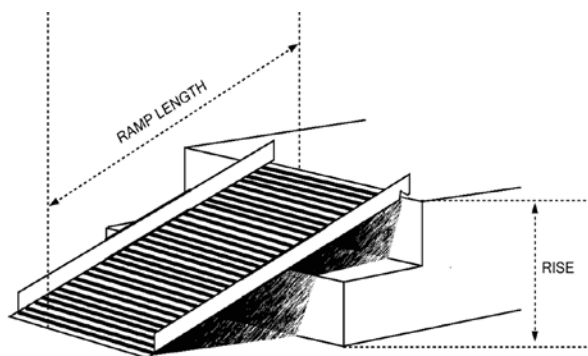


INCLINE CHART



		RAMP LENGTH								
		2'	3'	4'	5'	6'	7'	8'	9'	10'
RISE	3"	7.2°	4.8°	3.6°	2.9°	2.4°	2.0°	1.8°	1.6°	1.4°
	4"	9.6°	6.4°	4.8°	3.8°	3.2°	2.7°	2.4°	2.1°	1.9°
	5"	12°	8.0°	6.0°	4.8°	4.0°	3.7°	3.0°	2.7°	2.4°
	6"	14.5°	9.6°	7.2°	5.7°	4.8°	4.1°	3.6°	3.2°	2.9°
	7"		11.2°	8.4°	6.7°	5.6°	4.8°	4.2°	3.7°	3.3°
	8"		12.8°	9.6°	7.7°	6.4°	5.5°	4.8°	4.2°	3.8°
	9"		14.5°	10.8°	8.6°	7.2°	6.2°	5.4°	4.8°	4.3°
	10"			12.0°	9.6°	8.0°	6.8°	6.0°	5.3°	4.8°
	12"			14.5°	11.5°	9.6°	8.2°	7.2°	6.4°	5.7°
	14"				13.5°	11.2°	9.6°	8.4°	7.4°	6.7°
	16"					12.8°	11.0°	9.6°	8.5°	7.7°
	18"					14.5°	12.4°	10.8°	9.6°	8.6°
	20"						13.8°	12.0°	10.7°	9.6°
	22"							13.2°	11.8°	10.6°
	24"							14.5°	12.8°	11.5°
	26"								13.9°	12.5°
28"								15.0°	13.5°	
30"									14.5°	

IMPORTANT: Refer to your equipment's (wheelchair or scooter) Owner Guide for the proper degree of incline/decline and chair direction before attempting ramp use. Never exceed its recommendations.



TO ESTABLISH THE PROPER RAMP LENGTH:

- Determine the incline that your chair is designed to climb.
- Measure the rise (distance from the top step, porch, van, etc. to the ground).
- Refer to Incline Chart to find proper ramp length.
- At any incline, use ramp only with a qualified helper.



WARRANTY REGISTRATION

EZ-ACCESS®, A DIVISION OF HOMECARE PRODUCTS, INC. • 700 MILWAUKEE AVE N • ALGONA WA 98001-7408

PRODUCT	STOCK NUMBER
NAME	PHONE
ADDRESS	CITY, ST, ZIP
NAME OF DEALER	DEALER'S CITY, ST, ZIP
PRICE	DATE PURCHASED
COMMENTS	
WHAT INFLUENCED YOUR PURCHASE OF THIS PRODUCT?	
<input type="checkbox"/> SAW IN STORE <input type="checkbox"/> RECOMMENDATION OF FRIEND <input type="checkbox"/> RECOMMENDATION OF DEALER <input type="checkbox"/> MAGAZINE AD <input type="checkbox"/> OTHER (PLEASE EXPLAIN):	

WARRANTY IS NOT VALID UNLESS POSTMARKED WITHIN 10 DAYS OF PURCHASE

CE Technical Files kept at: CREE, Z.I. du Recou, F-69520, Grigny France
 © 2005-2013 Homecare Products, Inc. All rights reserved.

1. Maximum weight limit is **800 pounds**.
2. Read and follow all instructions before use.
3. Do not use if ramp is damaged or unstable.
4. Ramp is shipped fully assembled.
5. Place ramp on landing in the folded position and ensure that the top lip (labeled TOP) is resting securely on the landing (DIAGRAM 1).
6. Unfold ramp and center on landing (DIAGRAM 1 & 2).
7. **SAFETY & MAINTENANCE:** Regularly check ramp for damage, and check and tighten any loose fasteners. Keep ramp surface clear of ice, snow, dirt, leaves, and other debris. For snow/ice, remove accumulation and sweep the surface clean. To remove dirt, leaves, and other debris, sweeping the surface or using a garden hose will usually suffice, but, if needed, use a damp cloth or soft brush with non-alkaloid detergent and water. Rinse well and use extra caution if ramp surface is wet.
8. **OPTIONAL FEATURE:** Increase the usefulness of the SUITCASE® Signature Series™ Ramp with the Top Lip Extension (TLE). This optional extension increases the standard 3" lip to become 9", allowing the ramp to clear the rear bumper of SUVs and vans by simply attaching to the top lip of the ramp (diagram 4). TLE is for use with unoccupied mobility equipment only and, when used, reduces the overall ramp weight capacity to 500 pounds. Contact your local retailer or visit www.ezaccess.com for details.

- ⚠ **WARNING:** Ensure that the top lip is secure before using ramp. We recommend attaching the ramp temporarily to the landing using the provided clevis pins (drill 1/4" hole in landing) or semi-permanently using screws through the pre-drilled holes at the top of each section (DIAGRAM 2). To prevent ramp from becoming dislodged during use, ensure that the top lip overlaps the resting surface as far as possible.
- ⚠ **WARNING:** The surface holding the top lip needs to be substantial; make sure that the surface and supporting structure is of sound construction.
- ⚠ **WARNING:** Ramp may be slippery when wet or icy.
- ⚠ **WARNING:** Use only with a qualified helper and always use your lap belt.
- ⚠ **WARNING:** The ramp shown in diagrams (below) is the 5-ft length. To select the ramp length, an incline chart is provided on the reverse side of this document. However, it is intended only as a guideline. Refer to your equipment's (wheelchair or scooter) Owner Guide for the proper degree of incline/decline and chair direction before attempting ramp use. Never exceed its recommendations.

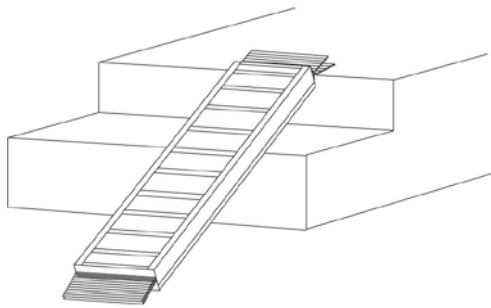


DIAGRAM 1

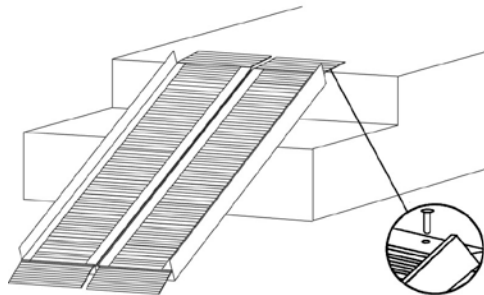


DIAGRAM 2

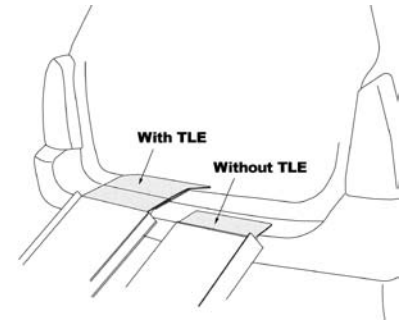


DIAGRAM 3



1. EZ-ACCESS, a division of Homecare Products, Inc., (herein referred to as Manufacturer), warrants that the equipment shall be free from defects in material and workmanship under normal use and service for a period of 3-years from the date of original purchase. This limited warranty applies to the original purchaser only and is non-transferable. This limited warranty is applicable to defective metal structure components only (excludes powder coated finish, applied non-skid tread, etc.) No part of this warranty will apply to any equipment which has been subject to misuse, vandalism, negligence, alteration, improper loads, accident, improper installation, or which has been repaired outside Manufacturer's place of business in any way as in the reasonable judgment of Manufacturer, to adversely affect its performance and reliability, nor to normal deterioration due to wear, tear and exposure, corrosion, or damage caused by rain, fire, earthquake or other natural causes or acts of nature.
2. Manufacturer's obligation and purchaser's sole remedy under this warranty is limited to, at Manufacturer's option, repairing or replacing equipment which is returned to its place of business and which, upon examination, shall disclose to Manufacturer's reasonable satisfaction to have been defective. Manufacturer will make the repair or replacement of defective components at its own expense. If Purchaser discovers a defect, he/she must call Manufacturer at 253-249-1101 to request a Return Authorization (RA) to return the merchandise to Manufacturer.
3. If Manufacturer determines, in its sole discretion, to replace the equipment with either a new or repaired unit, purchaser shall be responsible for a charge prorated on the following basis: The purchaser will be allowed a credit against the purchase price of equivalent equipment at the time of return to Manufacturer, in proportion to the percentage of the warranted service life remaining at the time of such return. Purchaser will be responsible to pay the balance of the purchase price of equivalent equipment. Manufacturer reserves the right to require payment prior to delivery of the repaired/replaced equipment. In calculating available credit, the remaining warranted service life will be rounded up or down to the nearest whole year. YEARS 0-1: Unit repaired or replaced; YEARS 1-2: Repair or 50% \$ credit (current purchase price multiplied by credit percentage); YEARS 2-3: Repair or 25% \$ credit (current purchase price multiplied by credit percentage). This limited warranty does not cover removal or reinstallation. Manufacturer reserves the right to require Purchaser to pay for all shipping charges (Government purchases exempt).
4. **DISCLAIMER: THE WARRANTIES AND REMEDIES CONTAINED HEREIN ARE EXCLUSIVE AND IN LIEU OF ALL OTHER WARRANTIES, WHETHER EXPRESS, IMPLIED OR STATUTORY, INCLUDING ANY LIABILITY ARISING UNDER ANY WARRANTY OF MERCHANTABILITY OR FITNESS FOR A PARTICULAR PURPOSE, STATUTORY OR OTHERWISE. HOWEVER, THAT IF ANY IMPLIED WARRANTY CANNOT BE DISCLAIMED IN ANY TERRITORY WHERE A PRODUCT IS SOLD, THE DURATION OF SUCH IMPLIED WARRANTY IS LIMITED TO THE DURATION OF THE LIMITED WARRANTY DESCRIBED IN THE FIRST PARAGRAPH.**
5. **MANUFACTURER SHALL NOT BE LIABLE UNDER ANY CONTRACT, NEGLIGENCE, STRICT LIABILITY OR OTHER LEGAL OR EQUITABLE THEORY FOR ANY DIRECT, SPECIAL, INCIDENTAL OR CONSEQUENTIAL DAMAGES, RESULTING FROM THE USE, MISUSE OR INABILITY TO USE THE EQUIPMENT, OR ARISING OUT OF ANY BREACH OF THIS LIMITED WARRANTY, EVEN IF MANUFACTURER HAS BEEN ADVISED OF THE POSSIBILITY OF SUCH DAMAGES. THE SOLE REMEDY FOR A BREACH OF THE FOREGOING LIMITED WARRANTY IS REPLACEMENT OF THE DEFECTIVE OR NON-CONFORMING EQUIPMENT OR PART. THE MAXIMUM LIABILITY OF MANUFACTURER UNDER THIS WARRANTY IS LIMITED TO THE PURCHASE PRICE OF THE EQUIPMENT COVERED BY THE WARRANTY.**
6. Some states do not allow the exclusion or limitation of incidental or consequential damages, so the above limitation or exclusion may not apply to you. This warranty gives you specific legal rights, and you may also have other rights which may vary from State to State. Manufacturer reserves the right to change or improve its products without any obligation to change or improve any Product previously manufactured by it.

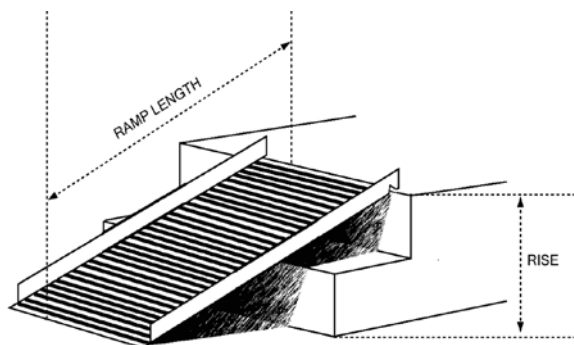


INCLINE CHART



RISE	RAMP LENGTH									
	2'	3'	4'	5'	6'	7'	8'	9'	10'	
3"	7.2°	4.8°	3.6°	2.9°	2.4°	2.0°	1.8°	1.6°	1.4°	
4"	9.6°	6.4°	4.8°	3.8°	3.2°	2.7°	2.4°	2.1°	1.9°	
5"	12°	8.0°	6.0°	4.8°	4.0°	3.7°	3.0°	2.7°	2.4°	
6"	14.5°	9.6°	7.2°	5.7°	4.8°	4.1°	3.6°	3.2°	2.9°	
7"		11.2°	8.4°	6.7°	5.6°	4.8°	4.2°	3.7°	3.3°	
8"		12.8°	9.6°	7.7°	6.4°	5.5°	4.8°	4.2°	3.8°	
9"		14.5°	10.8°	8.6°	7.2°	6.2°	5.4°	4.8°	4.3°	
10"			12.0°	9.6°	8.0°	6.8°	6.0°	5.3°	4.8°	
12"			14.5°	11.5°	9.6°	8.2°	7.2°	6.4°	5.7°	
14"				13.5°	11.2°	9.6°	8.4°	7.4°	6.7°	
16"					12.8°	11.0°	9.6°	8.5°	7.7°	
18"					14.5°	12.4°	10.8°	9.6°	8.6°	
20"						13.8°	12.0°	10.7°	9.6°	
22"							13.2°	11.8°	10.6°	
24"							14.5°	12.8°	11.5°	
26"								13.9°	12.5°	
28"								15.0°	13.5°	
30"									14.5°	

IMPORTANT: Refer to your equipment's (wheelchair or scooter) Owner Guide for the proper degree of incline/decline and chair direction before attempting ramp use. Never exceed its recommendations.



TO ESTABLISH THE PROPER RAMP LENGTH:

- Determine the incline that your chair is designed to climb.
- Measure the rise (distance from the top step, porch, van, etc. to the ground).
- Refer to Incline Chart to find proper ramp length.
- At any incline, use ramp only with a qualified helper.



WARRANTY REGISTRATION

EZ-ACCESS®, A DIVISION OF HOMECARE PRODUCTS, INC. • 700 MILWAUKEE AVE N • ALGONA WA 98001-7408

PRODUCT	STOCK NUMBER
NAME	PHONE
ADDRESS	CITY, ST, ZIP
NAME OF DEALER	DEALER'S CITY, ST, ZIP
PRICE	DATE PURCHASED
COMMENTS	
WHAT INFLUENCED YOUR PURCHASE OF THIS PRODUCT?	
<input type="checkbox"/> SAW IN STORE <input type="checkbox"/> RECOMMENDATION OF FRIEND <input type="checkbox"/> RECOMMENDATION OF DEALER <input type="checkbox"/> MAGAZINE AD <input type="checkbox"/> OTHER (PLEASE EXPLAIN):	

WARRANTY IS NOT VALID UNLESS POSTMARKED WITHIN 10 DAYS OF PURCHASE

1. Maximum weight limit is **800 pounds**.
2. Read and follow all instructions before use.
3. Do not use if ramp is damaged or unstable.
4. For wheelchairs and scooters only (not intended for commercial use).
5. Ramp is shipped fully assembled. To separate ramp into two halves for easy stowage and transportation, remove bolts and install coil tension safety pin as follows:
 - a. Position as shown in (DIAGRAM 1). Align hinges, then insert coil tension safety pin into each hinge assembly and connect ramp sections together before use. NOTE: Spring section of pin should be on the underside (non-treaded side) of ramp.
 - b. **▲ WARNING:** Ramp may be separated for use when loading or unloading unoccupied mobility equipment only.
 - c. **▲ WARNING:** When used with occupied mobility equipment, use ramp as one unit (ensure both halves are joined with pins or bolts firmly installed before use).
6. Place ramp on landing in the folded position, making sure that the top lip (labeled TOP) is resting securely on the landing (DIAGRAM 2).
7. Position ramp approximately its full length out from vehicle or step. Facing vehicle or step, begin working from the left side. Stand ramp upright on end with the hinged edge facing to the right. Lift up first top half of ramp toward step or vehicle and place ramp so that the top lip is securely supporting the ramp as shown in DIAGRAM 2.
8. Unfold second top half of ramp so that both halves are fully extended lengthwise with one half laying face down on top of the other. NOTE: Non-skid tread should NOT be exposed at this time.
9. Open complete ramp, exposing entire non-skid surface and center on landing as shown in DIAGRAM 3.
10. For ease in carrying and stowage, ramp can be disconnected and carried in two sections. (When pins are not in use, store in one side of hinge or on the underside of ramp by inserting into the gap behind the top I-beam.)
11. To prevent ramp halves from swinging open, ensure that the Dual Lock™ tab (interlocking fastener) is pressed together and firmly locked in place. NOTE: Prior to use, locate both of the 1" x ¾" Dual Lock tabs (found on the non-skid side of the ramp, near the top and bottom edges), and then remove the top piece (it's used only as a protective covering during shipping).
12. **▲ WARNING:** Ensure top lip is secure before using ramp. We recommend attaching ramp temporarily to the landing using provided clevis pins (drill ¼" hole in landing) or semi-permanently using screws through pre-drilled holes at the top of each section. To prevent ramp from becoming dislodged during use, make sure that the top lip overlaps the resting surface as far as possible. The surface holding the top lip needs to be substantial and of sound construction.
13. **▲ WARNING:** Use ramp only with a qualified helper and always use lap belt.
14. **▲ WARNING:** An incline chart is provided on the reverse side of this document. However, it is intended only as a guideline. It is important that you refer to your equipment's (wheelchair or scooter) Owner Guide for the proper degree of incline/decline and chair direction before using ramp. Never exceed its recommendations.
15. **SAFETY & MAINTENANCE:** Regularly check ramp for damage, and check and tighten any loose fasteners. Keep ramp surface clear of ice, snow, dirt, leaves, and other debris. For snow/ice, remove accumulation and sweep the surface clean. To remove dirt, leaves, and other debris, sweeping the surface or using a garden hose will usually suffice, but, if needed, use a damp cloth or soft brush with non-alkaloid detergent and water. Rinse well and use extra caution if ramp surface is wet.
16. **OPTIONAL FEATURE:** Increase the usefulness of the TRIFOLD® Advantage Series® Ramp with the Top Lip Extension (TLE). This optional extension increases the standard 3" lip to become 9", allowing the ramp to clear the rear bumper of SUVs and vans by simply attaching to the top lip of the ramp (DIAGRAM 4). TLE is for use with unoccupied mobility equipment only and, when used, reduces the overall ramp weight capacity to 500 pounds. Contact your local retailer or visit www.ezaccess.com for details.

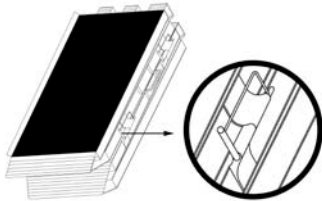


DIAGRAM 1

DIAGRAM 2

DIAGRAM 3

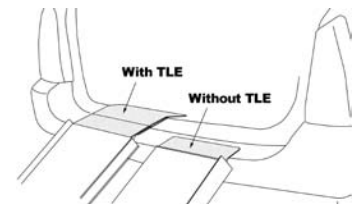


DIAGRAM 4

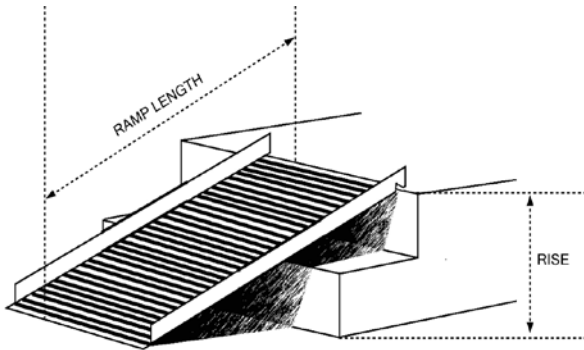
1. EZ-ACCESS, a division of Homecare Products, Inc., (herein referred to as Manufacturer), warrants that the equipment shall be free from defects in material and workmanship under normal use and service for a period of 3-years from the date of original purchase. This limited warranty applies to the original purchaser only and is non-transferable. This limited warranty is applicable to defective metal structure components only (excludes powder coated finish, applied non-skid tread, etc.) No part of this warranty will apply to any equipment which has been subject to misuse, vandalism, negligence, alteration, improper loads, accident, improper installation, or which has been repaired outside Manufacturer's place of business in any way as in the reasonable judgment of Manufacturer, to adversely affect its performance and reliability, nor to normal deterioration due to wear, tear and exposure, corrosion, or damage caused by rain, fire, earthquake or other natural causes or acts of nature.
2. Manufacturer's obligation and purchaser's sole remedy under this warranty is limited to, at Manufacturer's option, repairing or replacing equipment which is returned to its place of business and which, upon examination, shall disclose to Manufacturer's reasonable satisfaction to have been defective. Manufacturer will make the repair or replacement of defective components at its own expense. If Purchaser discovers a defect, he/she must call Manufacturer at 253-249-1101 to request a Return Authorization (RA) to return the merchandise to Manufacturer.
3. If Manufacturer determines, in its sole discretion, to replace the equipment with either a new or repaired unit, purchaser shall be responsible for a charge prorated on the following basis: The purchaser will be allowed a credit against the purchase price of equivalent equipment at the time of return to Manufacturer, in proportion to the percentage of the warranted service life remaining at the time of such return. Purchaser will be responsible to pay the balance of the purchase price of equivalent equipment. Manufacturer reserves the right to require payment prior to delivery of the repaired/replaced equipment. In calculating available credit, the remaining warranted service life will be rounded up or down to the nearest whole year. YEARS 0-1: Unit repaired or replaced; YEARS 1-2: Repair or 50% \$ credit (current purchase price multiplied by credit percentage); YEARS 2-3: Repair or 25% \$ credit (current purchase price multiplied by credit percentage). This limited warranty does not cover removal or reinstallation. Manufacturer reserves the right to require Purchaser to pay for all shipping charges (Government purchases exempt).
4. **DISCLAIMER: THE WARRANTIES AND REMEDIES CONTAINED HEREIN ARE EXCLUSIVE AND IN LIEU OF ALL OTHER WARRANTIES, WHETHER EXPRESS, IMPLIED OR STATUTORY, INCLUDING ANY LIABILITY ARISING UNDER ANY WARRANTY OF MERCHANTABILITY OR FITNESS FOR A PARTICULAR PURPOSE, STATUTORY OR OTHERWISE. HOWEVER, THAT IF ANY IMPLIED WARRANTY CANNOT BE DISCLAIMED IN ANY TERRITORY WHERE A PRODUCT IS SOLD, THE DURATION OF SUCH IMPLIED WARRANTY IS LIMITED TO THE DURATION OF THE LIMITED WARRANTY DESCRIBED IN THE FIRST PARAGRAPH.**
5. **MANUFACTURER SHALL NOT BE LIABLE UNDER ANY CONTRACT, NEGLIGENCE, STRICT LIABILITY OR OTHER LEGAL OR EQUITABLE THEORY FOR ANY DIRECT, SPECIAL, INCIDENTAL OR CONSEQUENTIAL DAMAGES, RESULTING FROM THE USE, MISUSE OR INABILITY TO USE THE EQUIPMENT, OR ARISING OUT OF ANY BREACH OF THIS LIMITED WARRANTY, EVEN IF MANUFACTURER HAS BEEN ADVISED OF THE POSSIBILITY OF SUCH DAMAGES. THE SOLE REMEDY FOR A BREACH OF THE FOREGOING LIMITED WARRANTY IS REPLACEMENT OF THE DEFECTIVE OR NON-CONFORMING EQUIPMENT OR PART. THE MAXIMUM LIABILITY OF MANUFACTURER UNDER THIS WARRANTY IS LIMITED TO THE PURCHASE PRICE OF THE EQUIPMENT COVERED BY THE WARRANTY.**
6. Some states do not allow the exclusion or limitation of incidental or consequential damages, so the above limitation or exclusion may not apply to you. This warranty gives you specific legal rights, and you may also have other rights which may vary from State to State. Manufacturer reserves the right to change or improve its products without any obligation to change or improve any Product previously manufactured by it.



INCLINE CHART

		RAMP LENGTH								
		2'	3'	4'	5'	6'	7'	8'	9'	10'
RISE	3"	7.2°	4.8°	3.6°	2.9°	2.4°	2.0°	1.8°	1.6°	1.4°
	4"	9.6°	6.4°	4.8°	3.8°	3.2°	2.7°	2.4°	2.1°	1.9°
	5"	12°	8.0°	6.0°	4.8°	4.0°	3.7°	3.0°	2.7°	2.4°
	6"	14.5°	9.6°	7.2°	5.7°	4.8°	4.1°	3.6°	3.2°	2.9°
	7"		11.2°	8.4°	6.7°	5.6°	4.8°	4.2°	3.7°	3.3°
	8"		12.8°	9.6°	7.7°	6.4°	5.5°	4.8°	4.2°	3.8°
	9"		14.5°	10.8°	8.6°	7.2°	6.2°	5.4°	4.8°	4.3°
	10"			12.0°	9.6°	8.0°	6.8°	6.0°	5.3°	4.8°
	12"			14.5°	11.5°	9.6°	8.2°	7.2°	6.4°	5.7°
	14"				13.5°	11.2°	9.6°	8.4°	7.4°	6.7°
	16"					12.8°	11.0°	9.6°	8.5°	7.7°
	18"					14.5°	12.4°	10.8°	9.6°	8.6°
	20"						13.8°	12.0°	10.7°	9.6°
	22"							13.2°	11.8°	10.6°
	24"							14.5°	12.8°	11.5°
	26"								13.9°	12.5°
	28"								15.0°	13.5°
30"									14.5°	

IMPORTANT: Refer to your equipment's (wheelchair or scooter) Owner Guide for the proper degree of incline/decline and chair direction before attempting ramp use. Never exceed its recommendations.



TO ESTABLISH THE PROPER RAMP LENGTH:

- Determine the incline that your chair is designed to climb.
- Measure the rise (distance from the top step, porch, van, etc. to the ground).
- Refer to Incline Chart to find proper ramp length.
- At any incline, use ramp only with a qualified helper.



WARRANTY REGISTRATION

EZ-ACCESS®, a division of Homecare Products, Inc. • 700 MILWAUKEE AVE N • ALGONA WA 98001-7408

PRODUCT	STOCK NUMBER
NAME	PHONE
ADDRESS	CITY, ST, ZIP
NAME OF DEALER	DEALER'S CITY, ST, ZIP
PRICE	DATE PURCHASED
COMMENTS	
<p>WHAT INFLUENCED YOUR PURCHASE OF THIS PRODUCT?</p> <p> <input type="checkbox"/> SAW IN STORE <input type="checkbox"/> RECOMMENDATION OF FRIEND <input type="checkbox"/> RECOMMENDATION OF DEALER <input type="checkbox"/> MAGAZINE AD </p> <p><input type="checkbox"/> OTHER (PLEASE EXPLAIN):</p>	

WARRANTY IS NOT VALID UNLESS POSTMARKED WITHIN 10 DAYS OF PURCHASE

INSTRUCTIONS FOR USE

FOR YOUR SAFETY:

- ⚠ Maximum weight limit is 600 pounds.
- ⚠ Read and follow all instructions before use.
- ⚠ Do not use if ramp is damaged or unstable.
- ⚠ It is important that you refer to your equipment's (wheelchair or scooter) User Guide for the proper degree of incline or decline and chair direction before attempting ramp use. **Never exceed its recommendations.**
- ⚠ Use ramp only with a qualified helper and always use your lap belt.

PACKAGE CONTENTS (SEE FIGURES 1 & 2):

THRESH 1: (A) foot, (H) flap, #6 screws

THRESH 1.5: (A) foot, (B) 1½" extension, (H) flap, #6 screws

THRESH 2: (A) foot, (C) 2" extension, (H) flap, #6 screws

THRESH 3: (A) foot, (C) 2" extension, (D) 3" extension, (H) flap, #6 screws

THRESH 4: foot, (C) 2" extension, (D) 3" extension, (E) 4" extension, (H) flap, #6 screws

THRESH 5: (A) foot, (C) 2" extension, (D) 3" extension, (E) 4" extension, (F) 5" extension, (H) flap, #6 screws

THRESH 6: (A) foot, (C) 2" extension, (D) 3" extension, (E) 4" extension, (F) 5" extension, (G) 6" extension, (H) flap, #6 screws

FIG 1

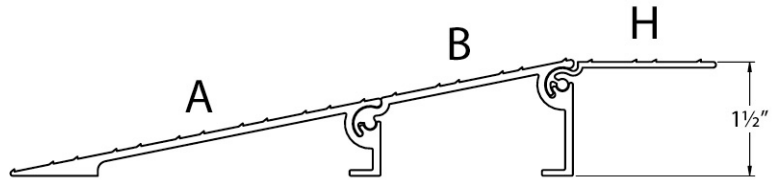
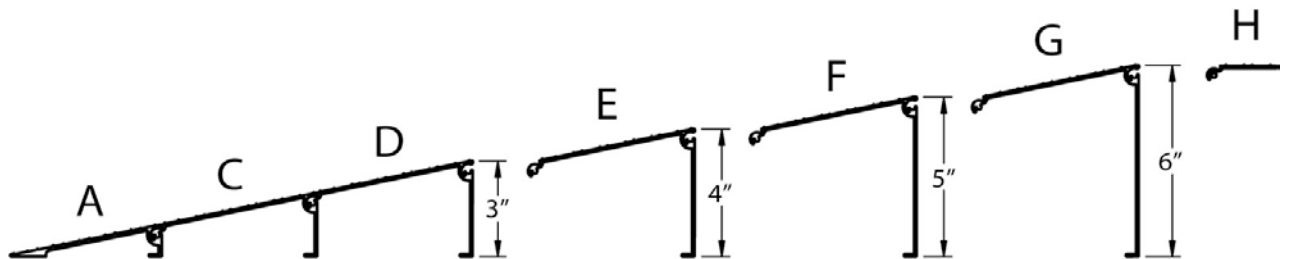


FIG 2



1. EZ-ACCESS, a division of Homecare Products, Inc., (herein referred to as Manufacturer), warrants that the equipment shall be free from defects in material and workmanship under normal use and service for a period of 3-years from the date of original purchase. This limited warranty applies to the original purchaser only and is non-transferable. This limited warranty is applicable to defective metal structure components only (excludes powder coated finish, applied non-skid tread, etc.) No part of this warranty will apply to any equipment which has been subject to misuse, vandalism, negligence, alteration, improper loads, accident, improper installation, or which has been repaired outside Manufacturer's place of business in any way as in the reasonable judgment of Manufacturer, to adversely affect its performance and reliability, nor to normal deterioration due to wear, tear and exposure, corrosion, or damage caused by rain, fire, earthquake or other natural causes or acts of nature.
2. Manufacturer's obligation and purchaser's sole remedy under this warranty is limited to, at Manufacturer's option, repairing or replacing equipment which is returned to its place of business and which, upon examination, shall disclose to Manufacturer's reasonable satisfaction to have been defective. Manufacturer will make the repair or replacement of defective components at its own expense. If Purchaser discovers a defect, he/she must call Manufacturer at 253-249-1101 to request a Return Authorization (RA) to return the merchandise to Manufacturer.
3. If Manufacturer determines, in its sole discretion, to replace the equipment with either a new or repaired unit, purchaser shall be responsible for a charge prorated on the following basis: The purchaser will be allowed a credit against the purchase price of equivalent equipment at the time of return to Manufacturer, in proportion to the percentage of the warranted service life remaining at the time of such return. Purchaser will be responsible to pay the balance of the purchase price of equivalent equipment. Manufacturer reserves the right to require payment prior to delivery of the repaired/replaced equipment. In calculating available credit, the remaining warranted service life will be rounded up or down to the nearest whole year. YEARS 0-1: Unit repaired or replaced; YEARS 1-2: Repair or 50% \$ credit (current purchase price multiplied by credit percentage); YEARS 2-3: Repair or 25% \$ credit (current purchase price multiplied by credit percentage). This limited warranty does not cover removal or reinstallation. Manufacturer reserves the right to require Purchaser to pay for all shipping charges (Government purchases exempt).
4. **DISCLAIMER: THE WARRANTIES AND REMEDIES CONTAINED HEREIN ARE EXCLUSIVE AND IN LIEU OF ALL OTHER WARRANTIES, WHETHER EXPRESS, IMPLIED OR STATUTORY, INCLUDING ANY LIABILITY ARISING UNDER ANY WARRANTY OF MERCHANTABILITY OR FITNESS FOR A PARTICULAR PURPOSE, STATUTORY OR OTHERWISE. HOWEVER, THAT IF ANY IMPLIED WARRANTY CANNOT BE DISCLAIMED IN ANY TERRITORY WHERE A PRODUCT IS SOLD, THE DURATION OF SUCH IMPLIED WARRANTY IS LIMITED TO THE DURATION OF THE LIMITED WARRANTY DESCRIBED IN THE FIRST PARAGRAPH.**
5. **MANUFACTURER SHALL NOT BE LIABLE UNDER ANY CONTRACT, NEGLIGENCE, STRICT LIABILITY OR OTHER LEGAL OR EQUITABLE THEORY FOR ANY DIRECT, SPECIAL, INCIDENTAL OR CONSEQUENTIAL DAMAGES, RESULTING FROM THE USE, MISUSE OR INABILITY TO USE THE EQUIPMENT, OR ARISING OUT OF ANY BREACH OF THIS LIMITED WARRANTY, EVEN IF MANUFACTURER HAS BEEN ADVISED OF THE POSSIBILITY OF SUCH DAMAGES. THE SOLE REMEDY FOR A BREACH OF THE FOREGOING LIMITED WARRANTY IS REPLACEMENT OF THE DEFECTIVE OR NON-CONFORMING EQUIPMENT OR PART. THE MAXIMUM LIABILITY OF MANUFACTURER UNDER THIS WARRANTY IS LIMITED TO THE PURCHASE PRICE OF THE EQUIPMENT COVERED BY THE WARRANTY.**
6. Some states do not allow the exclusion or limitation of incidental or consequential damages, so the above limitation or exclusion may not apply to you. This warranty gives you specific legal rights, and you may also have other rights which may vary from State to State. Manufacturer reserves the right to change or improve its products without any obligation to change or improve any Product previously manufactured by it.



SINGLE RAMP APPLICATION, STANDARD THRESHOLD AND LANDING:

- a. Slide sections together starting with the foot (A) until the hole and slot line up. Install a #6 screw and tighten (FIG 3). Continue installing extensions until desired height is reached. Install the flap (H), if used, in the uppermost extension.
- b. Place the ramp against the threshold or landing. The adjustable flap should rest on the threshold or landing to provide a smooth surface for your wheels. If the adjustable flap is not used, simply place ramp against the edge of the door runner and attach.
- c. Attach your ramp to the threshold or landing using the holes in either the foot section or the flap. Wood screws, sheet metal screws, or concrete bolts may be necessary, depending on the situation. It is also possible to use double face tape or caulking to attach the ramp. Foam rubber or other protective material may be put on the bottom of the legs to protect certain floor surfaces.

MULTI-RAMP APPLICATIONS, UNEVEN THRESHOLDS OR SLIDING DOORS:

- a. There are situations where a second Threshold Ramp may be needed on the inside of the threshold. If so, then the purchase of a second Threshold Ramp of equal or different height will be necessary. Follow instructions for single ramp application when installing a second ramp.
- b. For sliding door applications, do not use the flap (H). Instead, simply place leg of ramp against edge of door runner and attach per item "c" in SINGLE RAMP APPLICATION section.

SAFETY AND MAINTENANCE:

Regularly check ramp for damage and tighten any loose fasteners. Keep ramp surface clear of ice, snow, dirt, leaves, and other debris. For snow or ice, remove accumulation and sweep the surface clean. To remove dirt, leaves, and other debris, sweeping the surface or using a garden hose will usually suffice, but if needed use a damp cloth or soft brush with non-alkaloid detergent and water. Rinse well and use extra caution if ramp surface is wet.

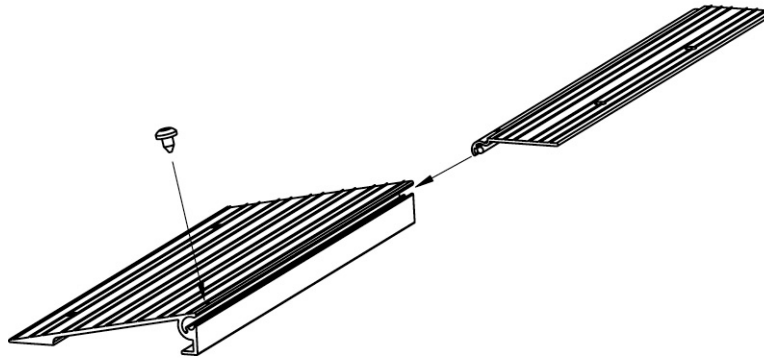
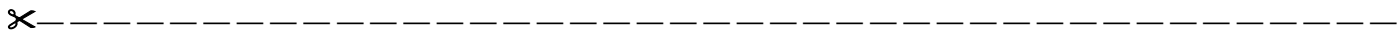


FIG 3



WARRANTY REGISTRATION

EZ-ACCESS[®], A DIVISION OF HOMECARE PRODUCTS, INC. • 700 MILWAUKEE AVE N • AUBURN WA 98001

PRODUCT		STOCK NUMBER	
YOUR NAME	PHONE	EMAIL	
ADDRESS		CITY, ST, ZIP	
NAME OF DEALER		DEALER'S CITY, ST, ZIP	
COMMENTS			
WHAT INFLUENCED YOUR PURCHASE OF THIS PRODUCT?			
<input type="checkbox"/> SAW IN STORE	<input type="checkbox"/> RECOMMENDATION OF FRIEND	<input type="checkbox"/> RECOMMENDATION OF DEALER	<input type="checkbox"/> MAGAZINE AD
<input type="checkbox"/> OTHER (PLEASE EXPLAIN):			

INSTRUCTIONS FOR INSTALLATION AND USE

BEFORE YOU BEGIN:

1. Maximum weight limit is 850 pounds.
2. Read and follow all instructions before use. Do not use if mat is damaged or unstable.
3. For use with wheelchairs and scooters only. Mat is intended for residential use.
4. **▲ WARNING:** Use mat only with a qualified helper and always use your lap belt.
5. **▲ WARNING:** It is important that you refer to your equipment's (wheelchair or scooter) Owner Guide for the proper degree of incline/decline and chair direction before using mat. Never exceed its recommendations.

FITTING AN ANGLED ENTRY MAT:

1. Mat can be easily trimmed to accommodate lower heights and narrower widths and, if necessary, notched to suit the doorjamb configuration.
2. If door threshold is equal to the height of the mat, use Angled Entry Mat as is.
3. If door threshold is less than the height of the mat, trim mat to the desired height as shown in **DIAGRAM 1** (serrations in the bottom of the mat can be used as a guide). **▲ WARNING:** Use caution when operating any non-manual saw as serious injury may result due to unexpected binding or pinching of rubber mat material. Always follow tool manufacturer's safety guidelines.

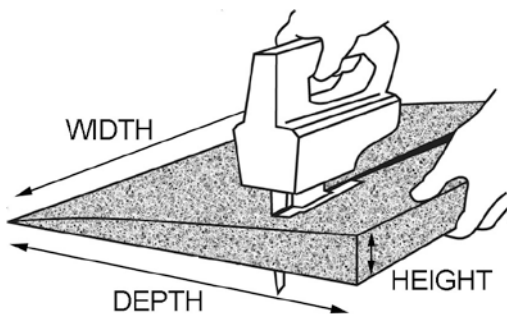


DIAGRAM 1

SECURING THE MAT: It is recommended that the mat be securely attached.

1. ATTACHING TO WOOD:

- a. Place mat in desired location and ensure that surface is free of dirt and debris.
- b. Secure mat using supplied Phillips head screws (two each). Space screws evenly (see **DIAGRAM 2** for placement) and drive until head is ¼" below the mat surface.

2. ATTACHING TO CONCRETE:

- a. Place mat in desired location and ensure that surface is free of dirt and debris.
- b. Using a ¼" diameter masonry bit, drill a hole 2" deep 1" from the edges of the corners at the taper as shown in **DIAGRAM 2**. **NOTE:** Ensure the holes are free of any residue.
- c. Drive the supplied ¼" diameter mushroom head pin anchors (two each) into the holes with a hammer until the head is seated.

CLEANING AND MAINTENANCE:

1. At all times, keep mat clear of snow, ice, dirt, leaves, and other debris that may accumulate on the surface.
2. Clean mat with mild soap and warm water. Rinse well and use extra caution when mat surface is wet.

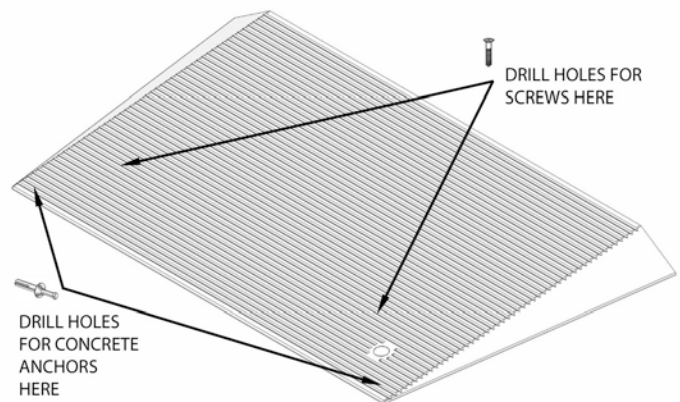


DIAGRAM 2



INSTRUCTIONS FOR USE

- IMPORTANT!** Read and follow all instructions before use (contact reseller for details or to obtain a copy).
- TLE (Top Lip Extension) is an accessory for some EZ-ACCESS® ramps. NOTE: When using with SUITCASE® ramps, refer to WARNINGS and steps 1-7 only.
- Ensure that you have received two each of the TLE (they must be installed in pairs).
- Open ramp (refer to ramp instructions) and insert one TLE under the TOP transition plate as shown in FIGURE 1. Rotate the TLE upward as shown in FIGURE 2.
- Ensure that the TLE is firmly seated in the TOP transition plate and that the square hole in the TOP transition plate is aligned with the hole in the TLE.
- Install the carriage bolt from the topside of TLE, through the square hole. Secure with washer and nut on underside of TLE as shown in FIGURE 3 and tighten the nut using a 7/16" wrench.
- Repeat for other side of ramp.
- When using with TRIFOLD® ramps, install the hook and loop strap onto one TLE as shown in FIGURE 4.
- Fold ramp to storage position (refer to ramp instructions), then secure strap to the other TLE for transport, etc. as shown in FIGURE 5.

- ▲ **WARNING!** DO NOT USE ramp with TLE unless the carriage bolt and nut are secure (see FIGURE 3).
- ▲ **WARNING!** Ensure that the top plate is secure before using. We recommend attaching the ramp temporarily to the landing using the provided clevis pins (drill 5/16" hole in landing) or semi-permanently using screws through the pre-drilled holes at the top of each section. To prevent ramp from becoming dislodged during use, make sure that the top plate overlaps the resting surface as far as possible. The surface holding the top plate needs to be substantial; make sure that the surface and supporting structure is of sound construction.
- ▲ **WARNING!** Ensure the TLE's surface area is resting fully on the landing during use (see FIGURE 6).
- ▲ **WARNING!** TLE is designed for use with unoccupied mobility equipment only.
- ▲ **WARNING!** Use of the TLE reduces overall ramp weight capacity to 500 lbs.

SAFETY & MAINTENANCE

Regularly check ramp for damage, and check and tighten any loose fasteners. Keep ramp surface clear of ice, snow, dirt, leaves, and other debris. For snow/ice, remove accumulation and sweep the surface clean. To remove dirt, leaves, and other debris, sweeping the surface or using a garden hose will usually suffice, but, if needed, use a damp cloth or soft brush with non-alkaloid detergent and water. Rinse well and use extra caution if ramp surface is wet.

FIGURE 1

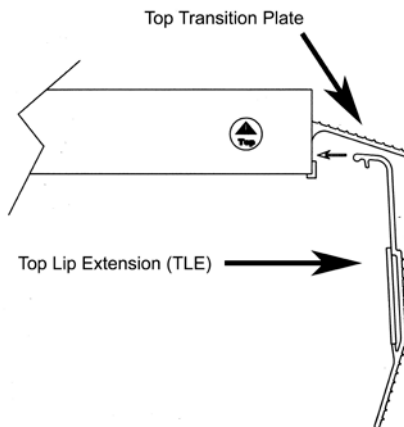


FIGURE 2

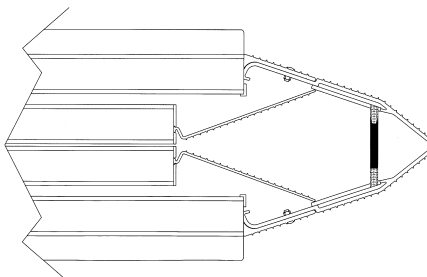


FIGURE 3

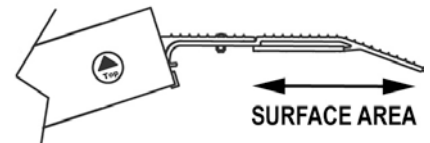


FIGURE 4

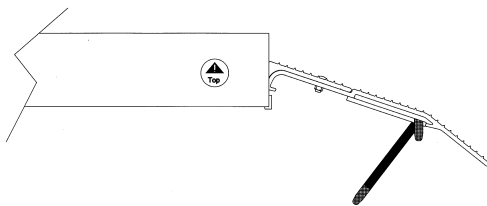


FIGURE 5

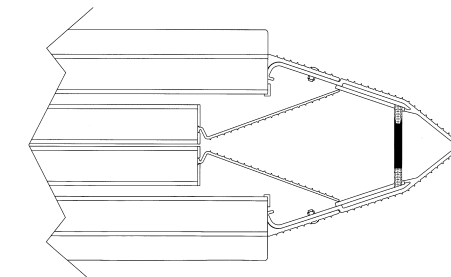


FIGURE 6